

ActiveCool

Pioneers in smart thermo-electrics



Patent pending

AC4G

World's first smart thermo-electric cooling for PC processors

Cool
Stable
Quiet
Computing

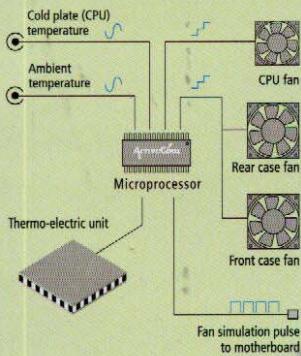
- For Intel P4 and AMD XP
- Installs in any PC in less than 90 seconds

AC4G is the world's first smart thermo-electric cooling system for PC processors. AC4G's microprocessor dynamically controls cooling power according to the processor load. The microprocessor normally runs the CPU fans and case fans at half power, significantly reducing computer noise. When CPU temperature rises, the microprocessor orchestrates fan speeds and power to the thermo-electric unit to provide intelligent, highly efficient, low-noise cooling.

Active Cool's thermo-electric cooling system improves cooling power, is priced for the PC market, eliminates most fan noise, and can be installed in any PC in under 90 seconds.

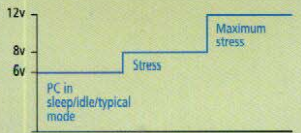
Cool Stable Quiet Computing

Active Cool proprietary microprocessor

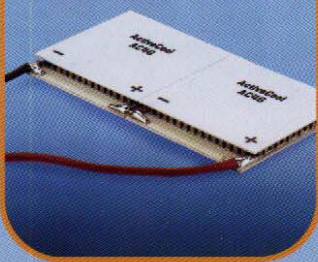


Noise control

3-step fan speed controlled by microprocessor. Physics of Active Cool's thermo-electric unit makes it possible to reduce noise without compromising cooling.



AC4G Peltier



Active Cool Ltd.

8 Industrial Blvd.
Northern Industrial Zone

Ashkelon, Israel

tel: +972 8 672 6123

fax: +972 8 672 6124

sales@activecool.com

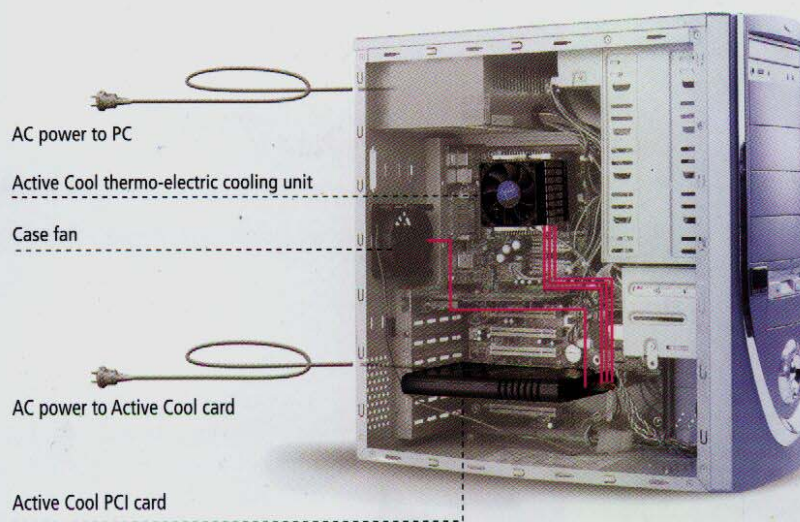
www.activecool.com



Specifications, Model AC4G

Technology	Revolutionary thermo-electric cooling for PC processors. Microprocessor-controlled in PCI form factor.		
Performance			
Cooling	Thermal load	Intel Pentium 4, 3.06 GHz	AMD Athlon 2700+
	SiSoft Sandra CPU Benchmark	45°C	40°C
	CPU Burn In	43°C	39°C
	Idle	26°C	42°C
	All tests performed at room temperature of 25°C. Indicated software was run for 20 minutes to create thermal load. Temperature indicated for Intel Pentium 4 is CPU case temperature; for AMD Athlon, temperature was measured with ASUS probe. ThermalTake Xaser II case was used in all tests. Test results may vary depending on case design and air flow.		
Noise level, CPU fan	25–40 dBA, dependent on load, <28 dBA in typical operation, dynamically controlled by microprocessor; patent-pending noise reduction technology		
Noise level, case fans	3-step microprocessor-controlled: 6, 8, 12 VDC, control according to PC ambient temperature and CPU temperature; smart noise-reduction algorithms		
Response time to CPU temperature change	<1 second (reduces hot-spot effect)		
PCI Card			
Installation	Occupies one PCI slot		
Input voltage	85–265 VAC, 50–60 Hz, wide-range, automatic		
Power consumption from mains	at Maximum CPU load: 72W		
Standards	UL, FCC, CE, VCCI		
Sensors	On-board PC ambient temperature sensor, CPU temperature sensor on Cooling Assembly		
Weight	380 gr		
Dimensions	191 mm × 116 mm × 22 mm		
Cooling Assembly			
Heat sink	Aluminum		
Fan	12 VDC, 70 mm × 70 mm × 15 mm, 36 cfm, PWM controlled by PCI card		
Thermo-electric unit	AC4G		

Specifications subject to change without prior notice.



AMD and AMD Athlon and combinations thereof are trademarks of Advanced Micro Devices, Inc. Intel and Pentium are trademarks or registered trademarks of the Intel Corporation and its subsidiaries. Other product names and brands used in this publication are for identification purposes only and may be trademarks of their respective owners.

AC SDN 101402. © 2003 by Active Cool Ltd. Specifications subject to change without prior notice.